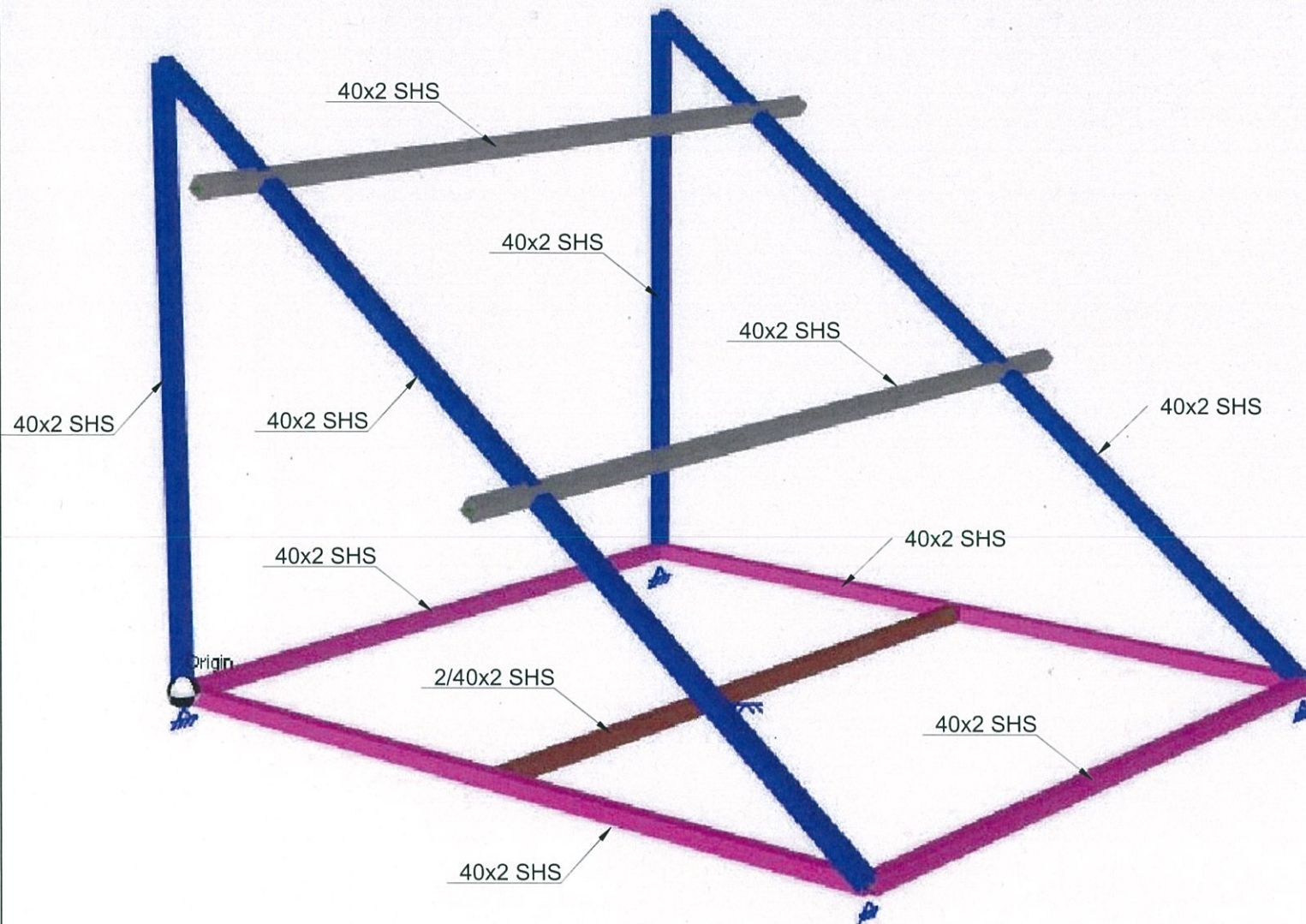


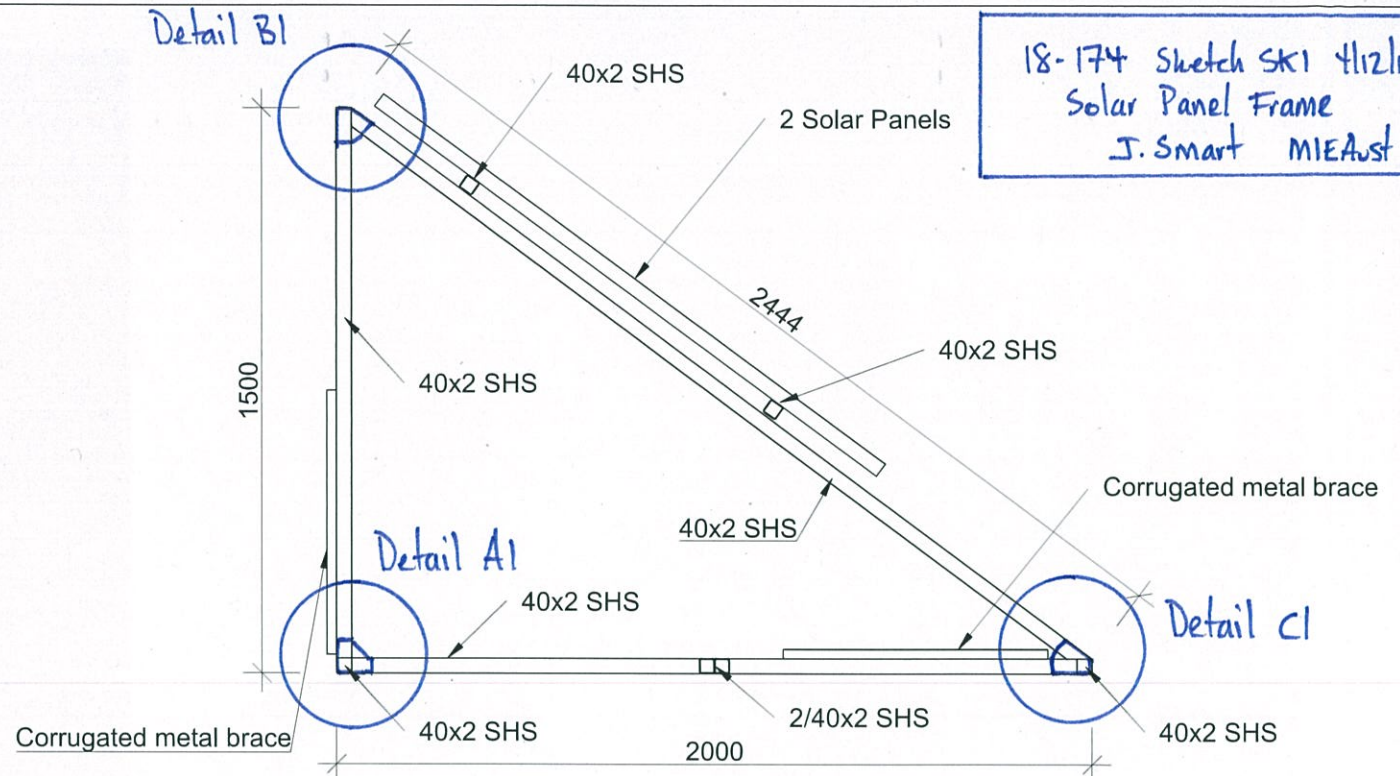
18-174 Sketch SK1 4/12/18
Solar Panel Frame
J. Smart MIEAust



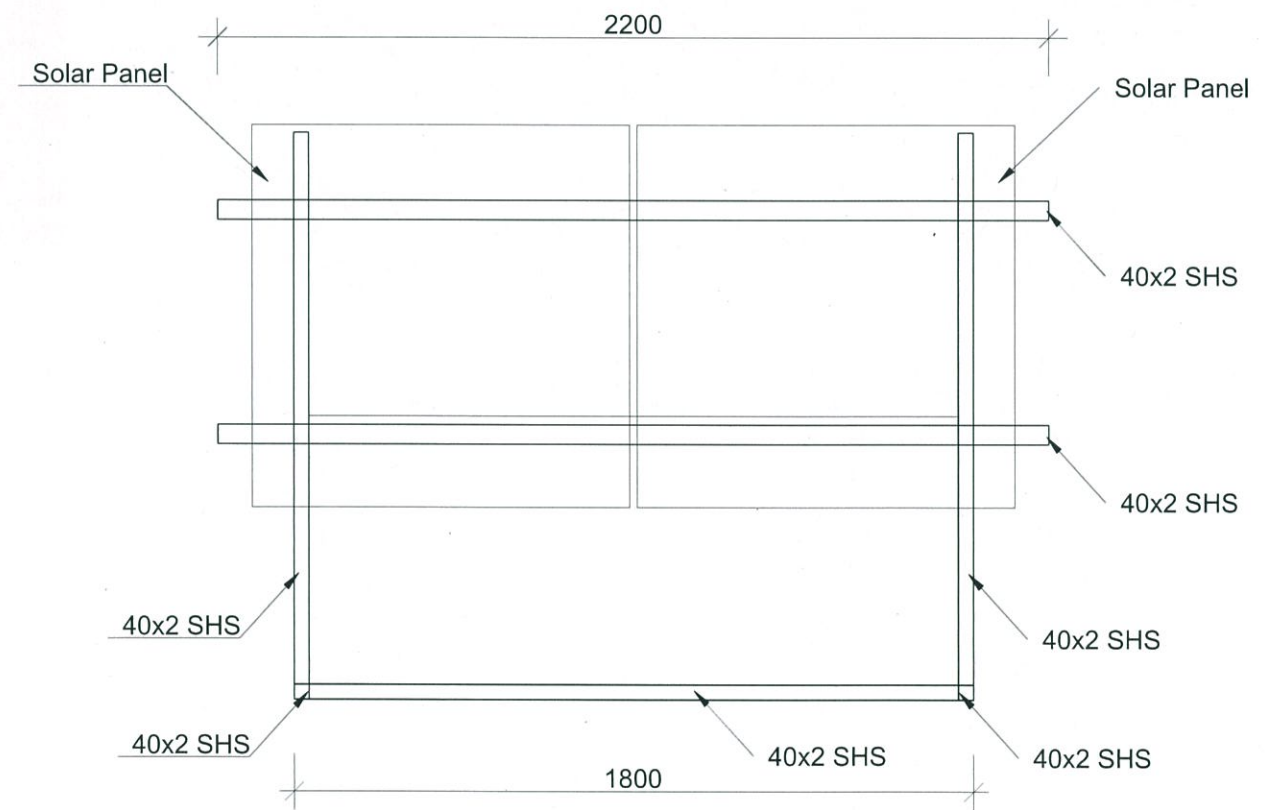
3D VIEW
NTS

NOTE:

1. ALL MEMBERS ARE 40X2 SHS.
2. FULL FIILLET WELDING 3mm LEG SIZE.
3. CAPS PROTECTORS TO BE USED ON EACH OPEN END.



SIDE VIEW



FRONT VIEW

AAA Design & Development Pty Ltd

34/13 Norval Court, MAROOCHYDORE, QLD 4558
Tel/Fax: (07) 5479 6747
Mob: 0422 039 247
email: d.lesmes@aaadesign.com.au

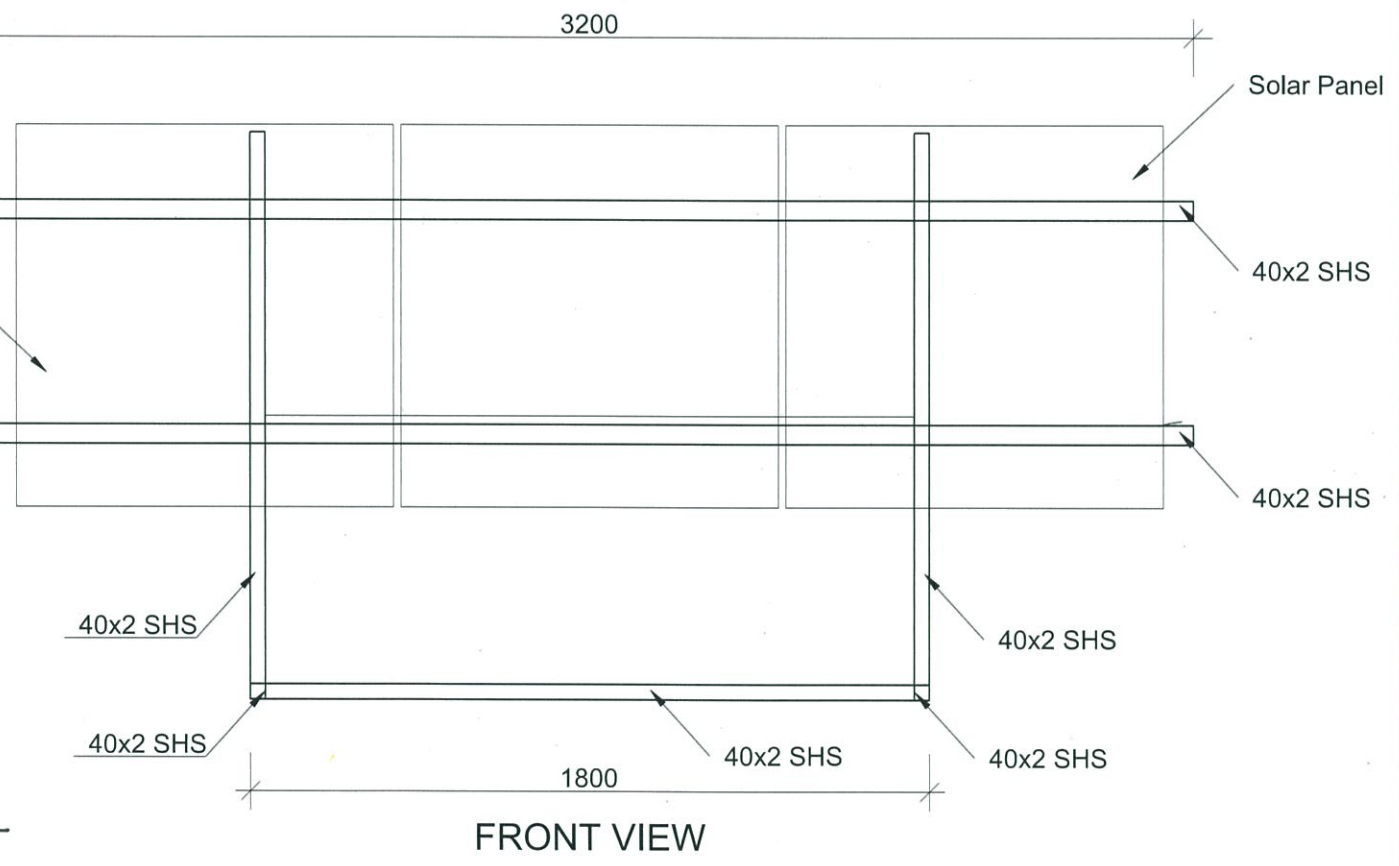
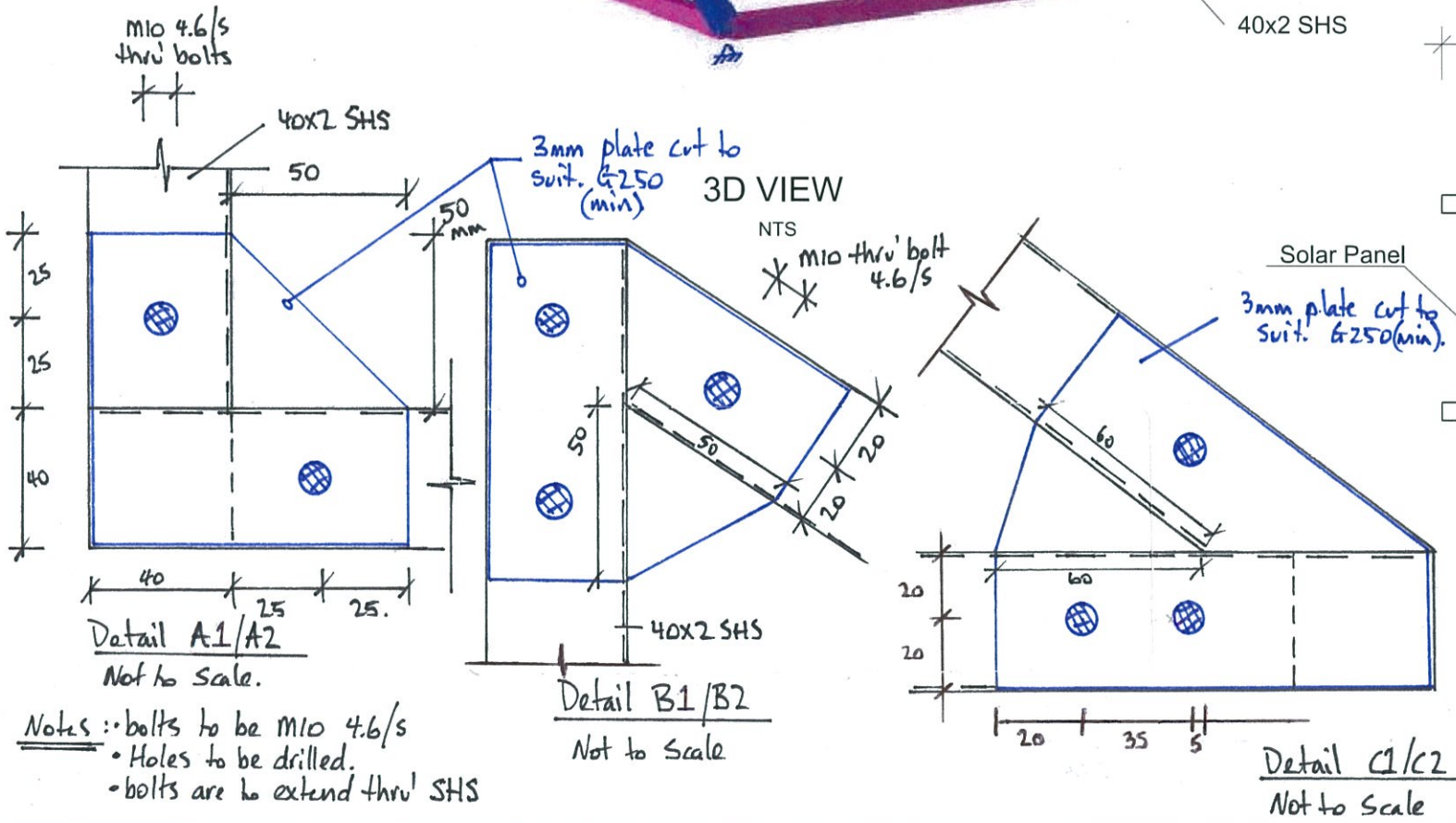
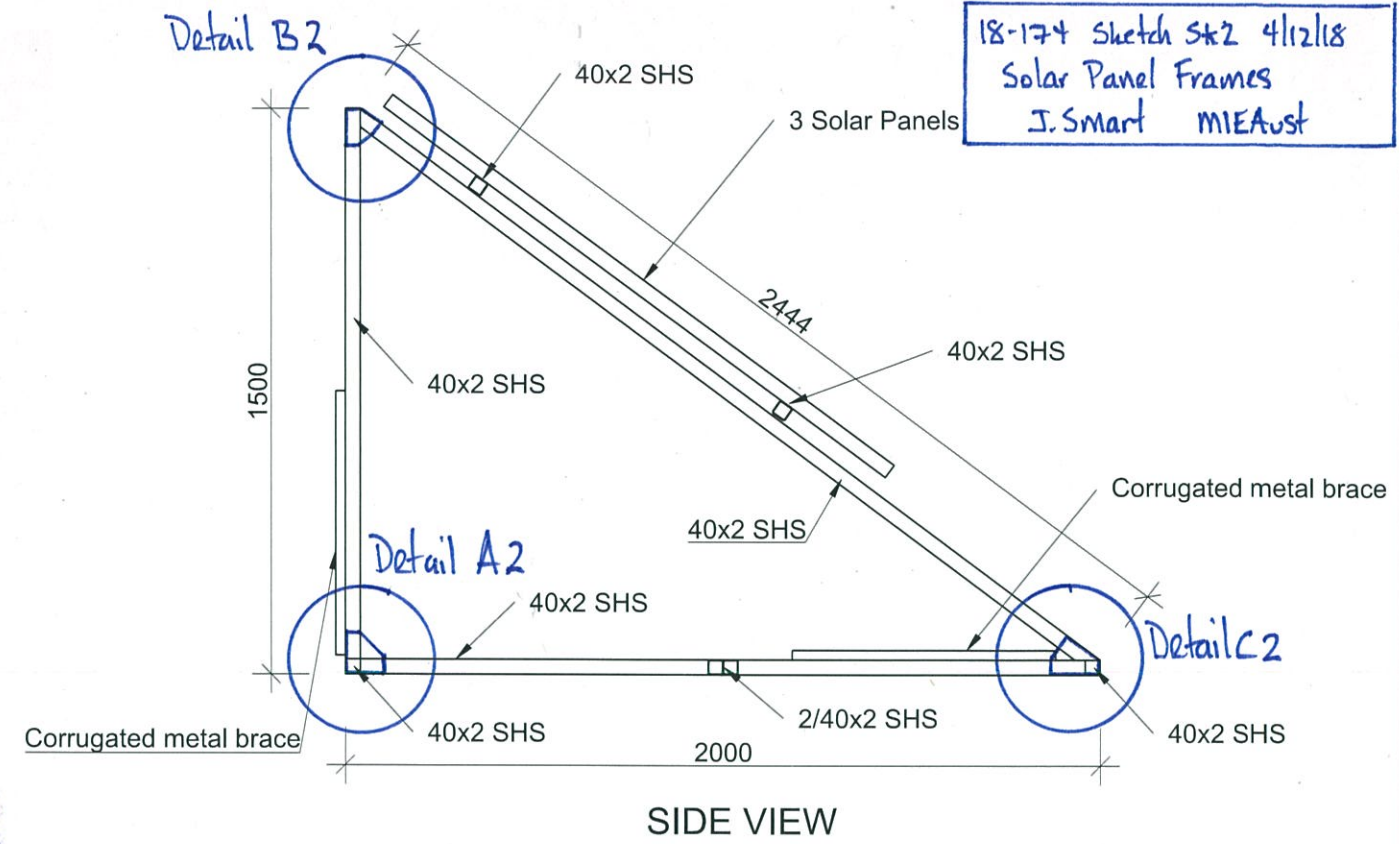
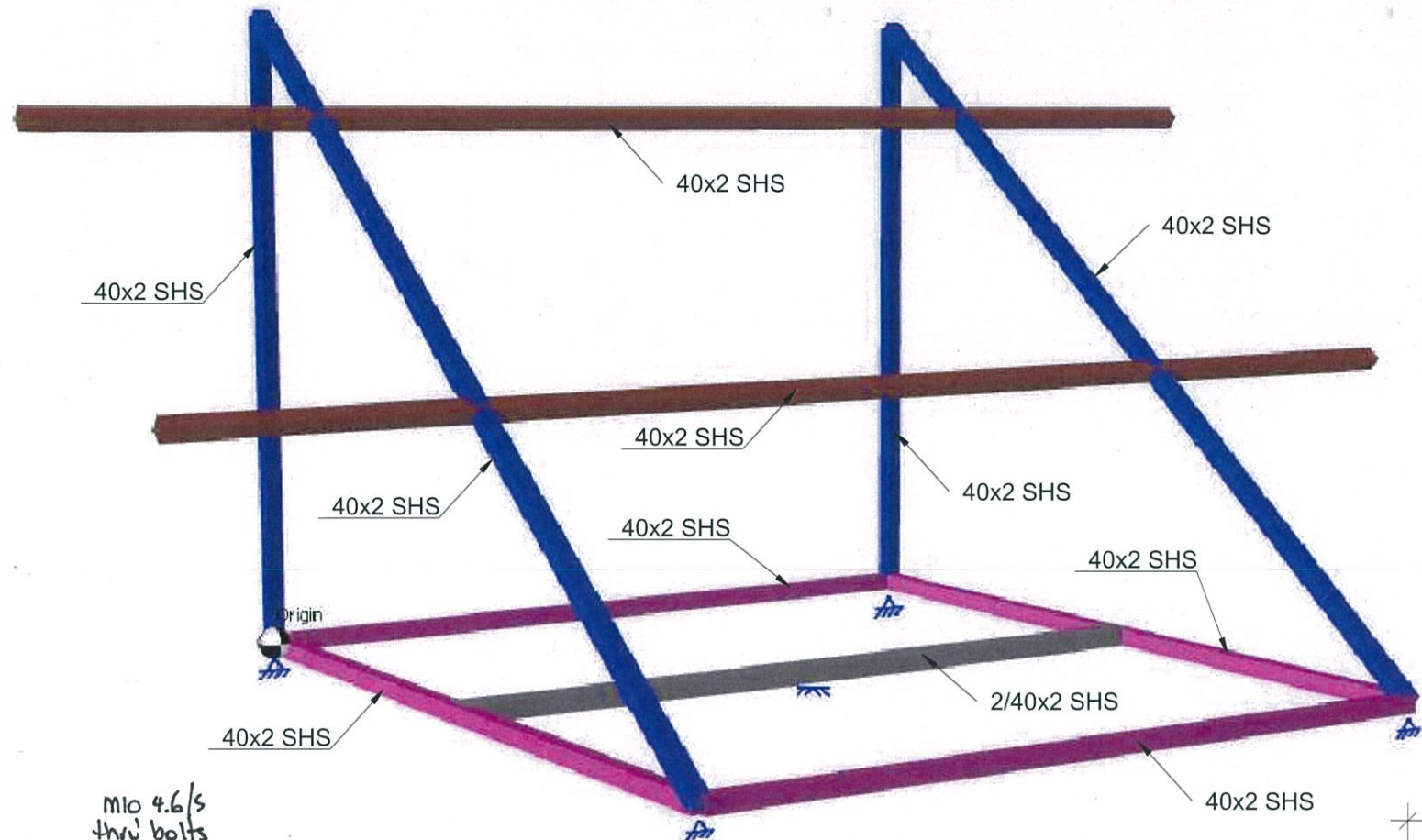


No.	Description	Date

RODNEY FURMINGER	APPROVED
PORTABLE SOLAR PANEL STAND	
	For & on behalf of AAA Design & Development Consulting

2 PANELS STAND DETAILS	
Project number F060-01	2273 - 01
Date 27-11-2018	
Drawn by J.S	
Checked by D.L.T	
Scale @ A3	1:20

18-174 Sketch SK2 4/12/18
Solar Panel Frames
J. Smart MIE Aust




AAA Design & Development Pty Ltd
34/13 Norval Court, MAROOCHYDORE, QLD 4558
Tel/Fax: (07) 5479 6747
Mob: 0422 039 247
email: d.lesmes@aaadesign.com.au



No.	Description	Date

RODNEY FURMINGER
PORTABLE SOLAR PANEL STAND

APPROVED		3 PANELS STAND DETAILS	
 <small>For & on behalf of AAA Design & Development Consulting</small>	Project number	F060-01	2273 - 02
	Date	27-11-2018	
	Drawn by	J.S	
	Checked by	D.L.T	
		Scale @ A3	1:100